

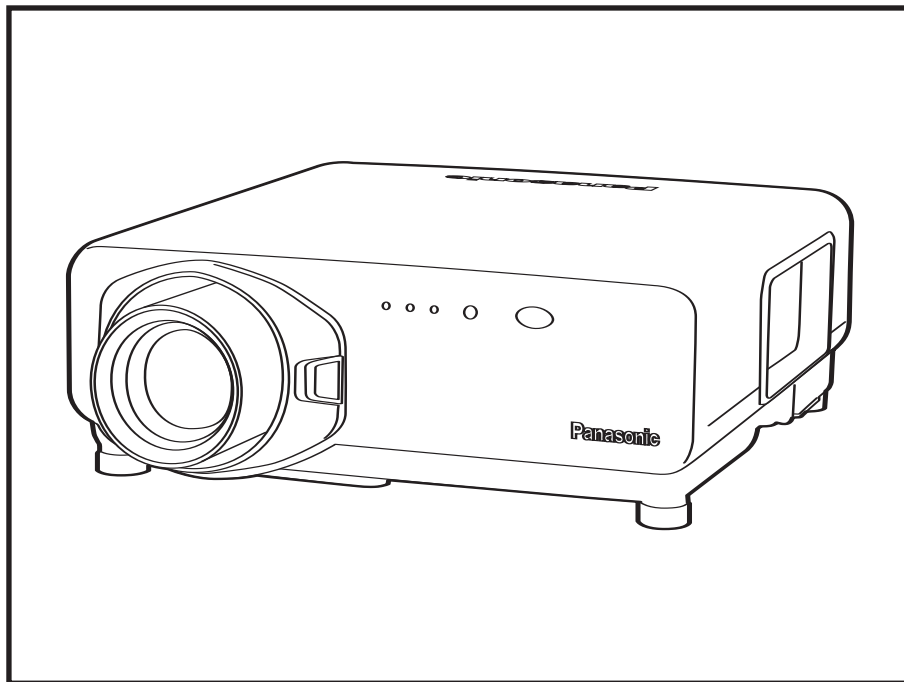
# Panasonic ideas for life

## S P E C F I L E

---

PRODUCT NO.: PT-D7700

PRODUCT NAME: DLP™-Based Projector



### MAJOR FEATURES

- 3-chip DLP™-based system in a sleek, compact body
  - The world's lightest 3-chip large-venue DLP™-based projector
  - Optional long-life lamp
  - Easy lamp replacement
  - Dust filter cleaning
- Superb image quality
  - Image quality from 3-chip DLP™ technology
  - Powerful 7,000 lumens
  - Astounding 4000:1 contrast ratio with Dynamic Iris
  - 16-bit color depth for film-like natural image
  - Progressive cinema scan (3/2 pulldown)
  - Dynamic sharpness control
- High reliability and easy maintenance
  - Liquid-cooling system
  - Dustproof design with sealed optical block
  - Dual lamp system and lamp relay function
- Flexible system applications
  - Horizontal/vertical lens shift
  - Optional lenses for various venues
  - Connection terminals
  - Abundant optional interface boards
  - Quiet operation
  - Built-in multi-screen processor, color matching and edge blending
- Networking (optional)
  - Wired LAN system
  - Web browser control/monitoring
  - E-mail message alert

## Specifications

## Main Unit

Power supply:	North America Europe	120 V AC, 60 Hz 220–240 V AC, 50/60 Hz
Power consumption:		800 W (800 VA) (North America: 12 W during standby mode with fan stopped, Europe: 15 W during standby mode with fan stopped)
DMD device:	Panel size: Display method: Pixels:	0.95" diagonal (4:3 aspect ratio) DMD (x 3, R/G/B), DLP™ system 1,470,000 (1,400 x 1,050) x 3, total of 4,410,000 pixels
Lens:		Optional powered zoom/focus lenses
Lamp:		300 W UHM™ lamps (x 2) (BriteOptic™ Dual Lamp System)
Screen size:		70–600 inches diagonally
Brightness:		7,000 lumens (dual lamp, high power mode)
Contrast:		4,000:1 (full on/full off, dynamic iris on)
Resolution:	RGB:  Video: RGB:  YPbPr (YCbCr):  S-Video/Video:	1,400 x 1,050 pixels (1,600 x 1,200 pixels compatible, compression mode) 560 TV lines Horizontal: 15–100 kHz, Vertical: 24–120 Hz, Dot clock: 20–162 MHz 480i: fh 15.75 kHz; fv 60 Hz, 576i: fh 15.63 kHz; fv 50 Hz, 480p: fh 31.5 kHz; fv 60 Hz, 576p: fh 31.25 kHz; fv 50 Hz, 720/60p: fh 45 kHz; fv 60 Hz, 1035/60i: fh 33.75 kHz; fv 60 Hz, 1080/60i: fh 33.75 kHz; fv 60 Hz, 1080/50i: fh 28.13 kHz; fv 50 Hz, 1080/25p: fh 28.13 kHz; fv 25 Hz, 1080/24p: fh 27 kHz; fv 24 Hz, 1080/24sF: fh 27 kHz; fv 48 Hz, 1080/30p: fh 33.75 kHz; fv 30 Hz Horizontal: 15.75/15.63 kHz, Vertical: 50/60 Hz, (PAL, PAL60, PAL-M, PAL-N, SECAM, NTSC, NTSC4.43) Horizontal: ±30%, Vertical: ±50%, powered Vertical: ±40° (with the ET-D75LE2)
Optical axis shift*:		Horizontal: ±30%, Vertical: ±50%, powered
Keystone correction range:		Vertical: ±40° (with the ET-D75LE2)
Terminals:	RGB1 IN: R, G, B:  Y, Pb, Pr: RGB2 IN: R, G, B:  Y, Pb, Pr: VIDEO IN: VIDEO OUT: S-VIDEO IN: SERIAL: REMOTE 1 IN: REMOTE 1 OUT: REMOTE 2 IN:	BNC x 5 0.7 Vp-p (G: 1.0 Vp-p for sync on G), 75Ω, HD/VD/SYNC: 1.4 Vp-p–5.0Vp-p, 75Ω (positive/negative) Y: 1.0 p-p, 75Ω, Pb/Pr: 0.7 Vp-p, 75Ω D-sub HD 15-pin x 1 0.7 Vp-p (G: 1.0 Vp-p for sync on G), 75Ω, HD/VD/SYNC: 75Ω, TTL (positive/negative polarity) Y: 1.0 p-p, 75Ω, Pb/Pr: 0.7 Vp-p, 75Ω BNC x 1, 1.0 Vp-p, 75Ω BNC x 1, 1.0 Vp-p, 75Ω, active through Mini DIN 4-pin x 1, Y: 1.0 Vp-p, C: 0.286 Vp-p, 75Ω D-sub 9-pin x 1 (RS-232C/422 compliant) for external controller M3 jack x 1 for wired remote control or link control M3 jack x 1 for wired remote control or link control D-sub 9-pin x 1 for external contro (parallel) x 1
Optional board slot:	ET-MD77NT LAN: ET-MD77DV DIV-D IN:  LAN: ET-MD77SD1 SERIAL IN:  SERIAL OUT: LAN: ET-MD77SD3 HD SERIAL IN:  LAN:	RJ-45 x 1, 10Base-T/100Base-TX, for network  DVI-D 24-pin x 1, DVI 1.0 compliant, HDCP compatible EDID1: 480p, 576p, 720/60p, 720/50p, 1080/60i, 1080/50i, 1080/25p, 1080/24p, 1080/24sF, 1080/30p EDID2: VGA (640 x 480) ÄI U-XGA (1,600 x 1,200) RJ-45 x 1, 10Base-T/100Base-TX, for network  BNC x 1 4:2:2 digital serial component signal, SMPTE 259M compliant: 480i, 576i BNC x 1, active through RJ-45 x 1, 10Base-T/100Base-TX, for network  BNC x 1 4:2:2 digital serial component signal, SMPTE 259M compliant: 480i, 576i HD digital serial component signal, SMPTE 292M compliant: 720/60p, 720/50p, 1035/60i, 1080/60i, 1080/50i, 1080/25p, 1080/24p, 1080/24sF, 1080/30p RJ-45 x 1, 10Base-T/100Base-TX, for network

\* Shift range is limited during simultaneous horizontal and vertical shifting.

**Specifications (continued)**

Power cord length:	2.5 m
Cabinet material:	ABS/PC
Dimensions (W x H x D):	530 x 200 x 540 mm (20-7/8" x 7-7/8" x 21-9/32") (without projection lens)
Weight:	22 kg (48.5 lbs) (without projection lens)
Operating temperature:	0°–40°C (32°–104°F)
	0°–35°C (32°–95°F) (dual lamp, lamp power: high)
Operating humidity:	10%–80% (no condensation)

**Remote Control Unit**

Number of keys:	32 keys, 46 functions
Power supply:	3 V DC (AA-size battery x 2)
Operation range:	Wireless: approx. 7 m when operated from directly in front of the signal receptor), wired: approx. 15 m
Dimensions (W x H x D):	50 x 31 x 181 mm (1-31/32" x 1-7/32" x 7-1/8")
Weight:	Approx. 110 g (3.9 oz.) (including batteries)

**Supplied Accessories**

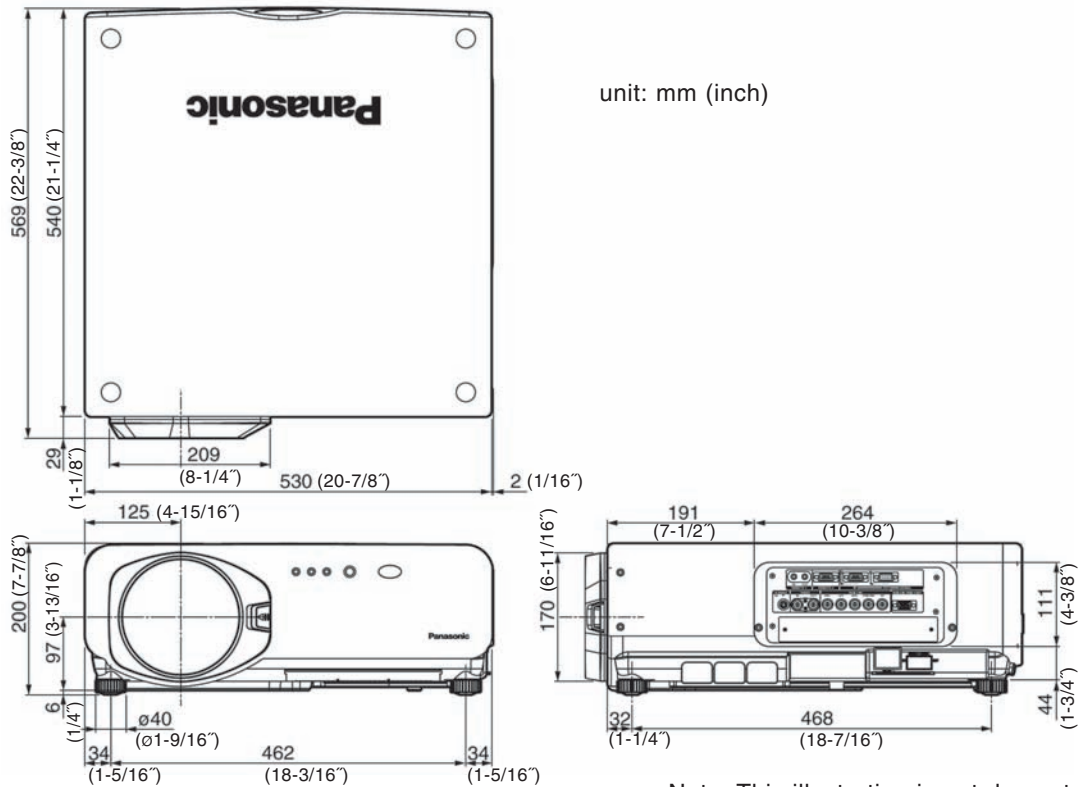
Power cord, Wireless/wired remote control unit, Remote control cable (15 m), Batteries for remote control (x 2)

**Optional Accessories**

Replacement lamp unit:	ET-LAD7700 (1 unit) ET-LAD7700W (set of two lamps)
Replacement long-life lamp unit:	ET-LAD7700L (1 unit) ET-LAD7700LW (set of two lamps)
Ceiling mount bracket:	ET-PKD75 (for high ceilings) ET-PKD75S (for low ceilings)
Dual stacking mount bracket:	ET-DFD75
Carrying handle:	ET-HAD75
Zoom lens (1.5–2.0:1):	ET-D75LE1
Zoom lens (2.0–3.0:1):	ET-D75LE2
Zoom lens (3.0–5.0:1):	ET-D75LE3
Zoom lens (5.0–8.0:1):	ET-D75LE4
Zoom lens (8.0–15.0:1):	ET-D75LE8
Fixed-focus lens (0.8:1):	ET-D75LE5
DVI/Network board:	ET-MD77DV
Network board:	ET-MD77NT
SDI/Network board:	ET-MD77SD1 (480i,576i)
HD/SDI/Network board:	ET-MD77SD3 (720/60p, 720/50p, 1035/60i, 1080/60i, 1080/50i,1080/25p, 1080/24p, 1080/24sF, 1080/30p)
Wireless remote receiver:	ET-RMRC2

Weights and dimensions shown are approximate. Specifications subject to change without notice.

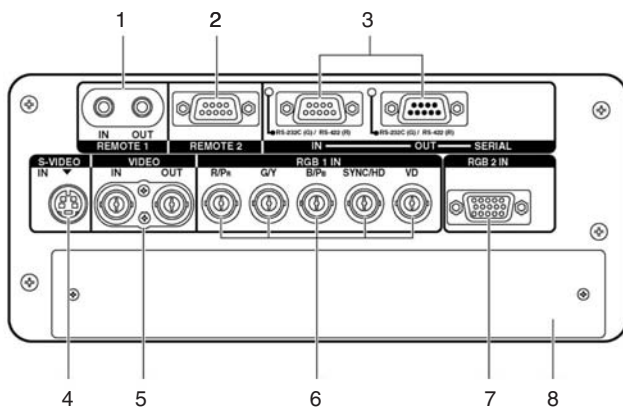
Dimensions



Note: This illustration is not drawn to scale.

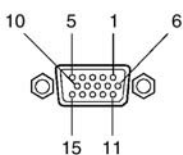
Weights and dimensions shown are approximate. Specifications subject to change without notice.

Terminals



- 1 Remote 1 input/output
- 2 Remote 2 input
- 3 Serial input/output
- 4 S-Video input
- 5 Video input/output
- 6 RGB 1 input
- 7 RGB 2 input
- 8 Optional board slot

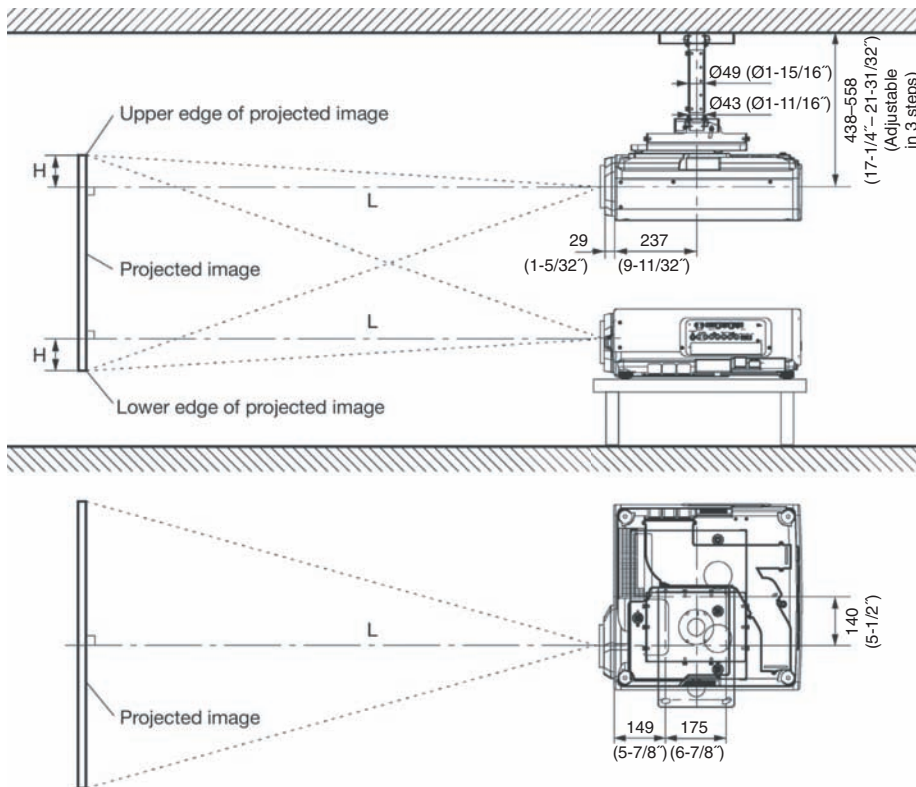
RGB IN connector pin assignment



no.	signal	no.	signal	no.	signal
1	R/PR	6	GND	11	NC
2	G/Y	7	GND	12	SDA*
3	B/PB	8	GND	13	HD/SYNC
4	GND	9	NC	14	VD
5	GND	10	GND	15	SCL*

\* Effective when connected to a PC having proper functions.

Standard setting-up positions



The projector with optional ceiling mount bracket ET-PKD75 and zoom lens ET-D75LE1.

The projector with optional zoom lens ET-D75LE1.

The projector with optional ceiling mount bracket ET-PKD75 and zoom lens ET-D75LE1.

unit: mm (inch)

Note: This illustration is not drawn to scale.

Projection distance (screen aspect ratio 4:3)

Screen size (inch, diagonal)	ET-D75LE1 Zoom lens (1.5-2.0:1)		ET-D75LE2 Zoom lens (2.0-3.0:1)		ET-D75LE3 Zoom lens (3.75-6.25:1)		ET-D75LE4 Zoom lens (5.0-8.0:1)		ET-D75LE8 Zoom lens (8.0-15.0:1)		ET-D75LE5 Fixed-focus lens (0.8:1)
	min.	max.	min.	max.	min.	max.	min.	max.	min.	max.	
70	2.07 6.8	2.77 9.1	2.80 9.2	4.21 13.8	4.23 13.9	7.09 23.3	7.10 23.3	11.37 37.3	11.09 36.4	21.14 69.4	1.02 3.35
80	2.38 7.8	3.18 10.4	3.21 10.5	4.83 15.9	4.84 15.9	8.13 26.7	8.13 26.7	13.01 42.7	12.73 41.8	24.22 79.4	1.18 3.87
90	2.68 8.8	3.59 11.8	3.62 11.9	5.46 17.9	5.46 17.9	9.16 30.0	9.16 30.1	14.65 48.1	14.37 47.1	27.29 89.5	1.34 4.39
100	2.99 9.8	4.00 13.1	4.04 13.2	6.07 19.9	6.08 19.9	10.19 33.4	10.19 33.4	16.29 53.5	16.01 52.5	30.36 99.6	1.50 4.91
120	3.60 11.8	4.82 15.8	4.86 15.9	7.30 24.0	7.31 24.0	12.25 40.2	12.26 40.2	19.57 64.2	19.29 63.3	36.50 119.8	1.81 5.94
150	4.53 14.8	6.05 19.8	6.09 20.0	9.15 30.0	9.16 30.1	15.34 50.3	15.35 50.4	24.49 80.3	24.21 79.4	45.72 150.0	2.29 7.5
200	6.06 19.9	8.10 26.6	8.15 26.7	12.24 40.2	12.25 40.2	20.50 67.2	20.50 67.3	32.69 107.2	32.40 106.3	61.08 200.4	3.08 10.09
250	7.59 24.9	10.15 33.3	10.21 33.5	15.33 50.3	15.34 50.3	25.65 84.2	25.66 84.2	40.88 134.1	40.60 133.2	76.44 250.8	3.87 12.68
300	9.13 29.9	12.19 40.0	12.27 40.2	18.41 60.4	18.42 60.4	30.81 101.1	30.81 101.1	49.08 161.0	48.80 160.1	91.79 301.2	4.66 15.28
350	10.66 35.0	14.24 46.7	14.32 47.0	21.50 70.5	21.51 70.6	35.96 118.0	35.97 118.0	57.28 188.0	57.00 187.0	107.15 351.6	- -
400	12.19 40.0	16.29 53.5	16.38 53.7	24.58 80.7	24.60 80.7	41.12 134.9	41.12 134.9	65.47 214.8	65.19 213.9	122.51 401.9	- -
500	15.26 50.1	20.39 66.9	20.50 67.2	30.76 100.9	30.77 100.9	51.42 168.7	51.43 168.7	81.87 268.6	81.59 267.7	153.23 502.7	- -
600	18.33 60.1	24.49 80.3	24.61 80.7	36.93 121.2	36.94 121.2	61.73 202.5	61.74 202.6	98.26 322.4	97.98 321.5	183.95 603.5	- -

unit: m/ft

Note: Values shown are approximate. Accuracy of values is ±5%.  
When keystone correction is performed, the screen size becomes smaller.

**Calculation of the projection distance:**

For a screen size, use the equation below to calculate the projection distance. (unit: mm)

ET-D75LE1	4 : 3	minimum maximum	$L \text{ (mm)} = (\text{diagonal screen size in inches}) \times 30.7 - 76$ $L \text{ (mm)} = (\text{diagonal screen size in inches}) \times 41.0 - 100.4$
ET-D75LE2	4 : 3	minimum maximum	$L \text{ (mm)} = (\text{diagonal screen size in inches}) \times 41.2 - 79.5$ $L \text{ (mm)} = (\text{diagonal screen size in inches}) \times 61.7 - 106.4$
ET-D75LE3	4 : 3	minimum maximum	$L \text{ (mm)} = (\text{diagonal screen size in inches}) \times 61.7 - 95.8$ $L \text{ (mm)} = (\text{diagonal screen size in inches}) \times 103.1 - 121.6$
ET-D75LE4	4 : 3	minimum maximum	$L \text{ (mm)} = (\text{diagonal screen size in inches}) \times 103.1 - 115.8$ $L \text{ (mm)} = (\text{diagonal screen size in inches}) \times 163.9 - 101.3$
ET-D75LE5	4 : 3	(fixed focus)	$L \text{ (mm)} = (\text{diagonal screen size in inches}) \times 15.8 - 83.5$
ET-D75LE8	4 : 3	minimum maximum	$L \text{ (mm)} = (\text{diagonal screen size in inches}) \times 164.0 - 386.2$ $L \text{ (mm)} = (\text{diagonal screen size in inches}) \times 307.2 - 359.8$